

2-PC Split Body Trunnion Mounted Model: SB2



o	°Vo@
k	°Vo@ dU - #O ∞
) o	°h@) °dU - "
u	7 7 7 7
- #	αt " † 7 k7 kuK 77 °Vo@ °Vo@
O #	°h@) °h@ @\ k°u-")
\	" o o °Vo@ 7#@ #O ∞† †@U o
°	U h =



Standard Features

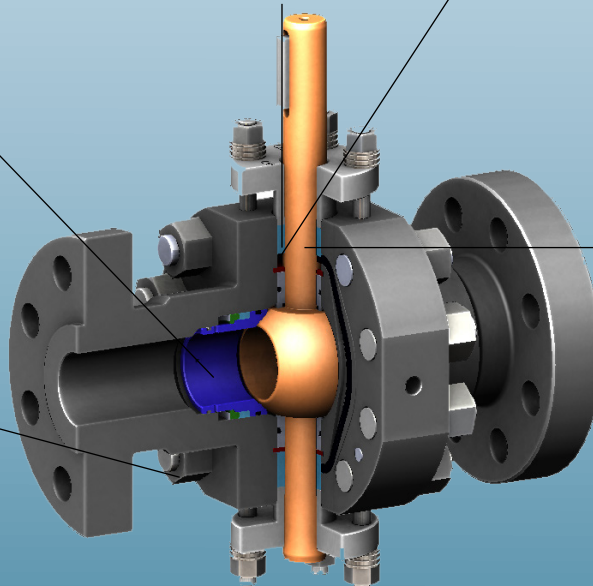
1. Pre-loaded, pressure assisted seating, bi-directional seating: no lateral ball movement; along flow bore. Pre-loading provides uniform torque. Pressure assistance assures tighter seal.

2. Engineered stem and fugitive emission seals per customer specification.

4. Trunnion bearing supports: assures alignment and reduces ball/seat torque.

3. Rigid bolted body: optimal strength and versatility.

5. Solid One Piece Ball & Stem: Solid, responsive & reliable. Prevents hysteresis.

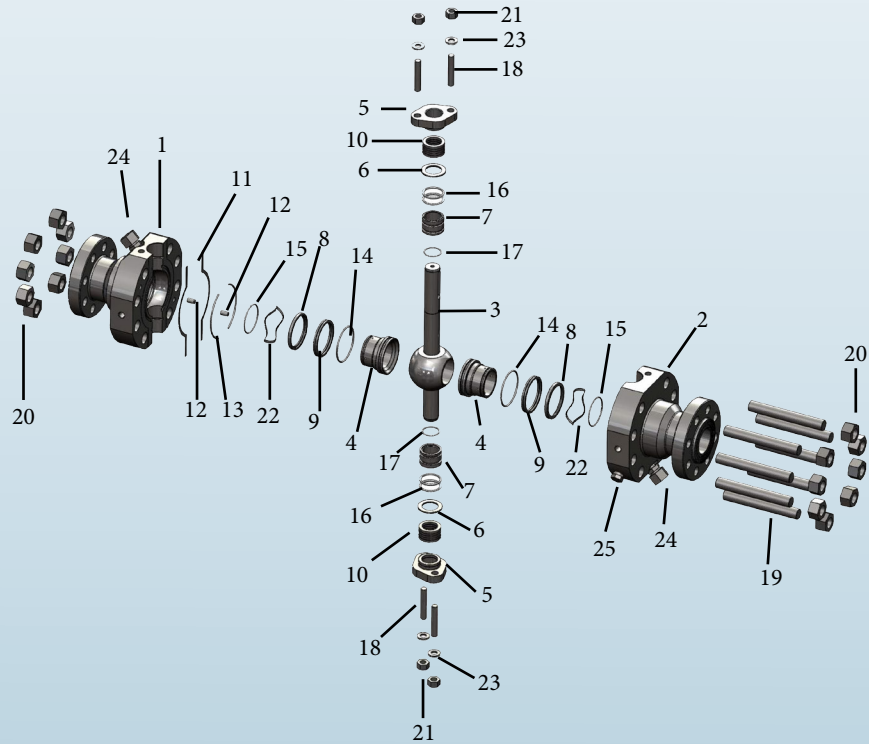


Model: SB2

PARTS LIST

A/R = AS REQUIRED

ITEM	QTY	DESCRIPTION
1	1	Body, Left Side
2	1	Body, Right Side
3	1	Ball/Stem
4	2	Metal Seat
5	2	Packing Gland
6	2	Stem Spacer
7	2	Metal Bearing
8	2	Pusher Ring
9	4	Seat Seal
10	10	Stem Seal
11	1	Body Seal
12	2	Dowel Pin
13	1	Body O-Ring Seal
14	2	Seat O-Ring Seal
15	2	Grease O-Ring Seal
16	4	Bearing O-Ring Seal
17	2	Stem O-Ring Seal
18	A/R	Threaded Stud
19	A/R	Threaded Stud
20	A/R	Body Heavy Hex Nut
21	A/R	Packing Heavy Hex Nut
22	2	Wavespring
23	8	Belleville-Washer
24	2	Grease Fitting
25	1	Drain Pipe Plug



Available Options

- Double Block & Bleed
- Steam Purge Ports
- Secondary & Tertiary Stem Seals
- Soft Seated or Metal Seated
- Various Ball Coatings
- CRA Overlays
- Firesafe
- Materials to Nace Standards
- More available upon request

Materials

Carbon Steel, Stainless Steel, Duplex, Stainless, Chrome Molybdenum, Nickel & Titanium based alloys and other exotic alloy available upon request.



36" Ansi 150 SB-2 for Power Generation Refrigerant Service

