

# 2-PC Split Body Trunnion Mounted Model: SB2



ONE PIECE BALL AND STEM, TWO PIECE BODY  
CENTER SPLIT BODY, BAR / FORGED  
STEM / TRUNNION BI-DIRECTIONAL

Sizes:	1" - 32"
Ratings:	ANSI CLASS 600 - 1500
Design Standards:	API 6D, ASME B16.34
Temperature:	From minus 20 °F to 450 °F
End Connections:	SW, BW, RF, RTJ, HUB END ANSI B16.5 / ANSI B16.25
Leakage Class Options:	- API 6D, API 598, ISO 5208 RATE A Thru D - Bubble tight (Soft-Seated) - ANSI / FCI 70.2 - CLASS V & VI (Metal Seat)
Actuation:	Manual, Pneumatic, Hydraulic, Electric..



## Standard Features

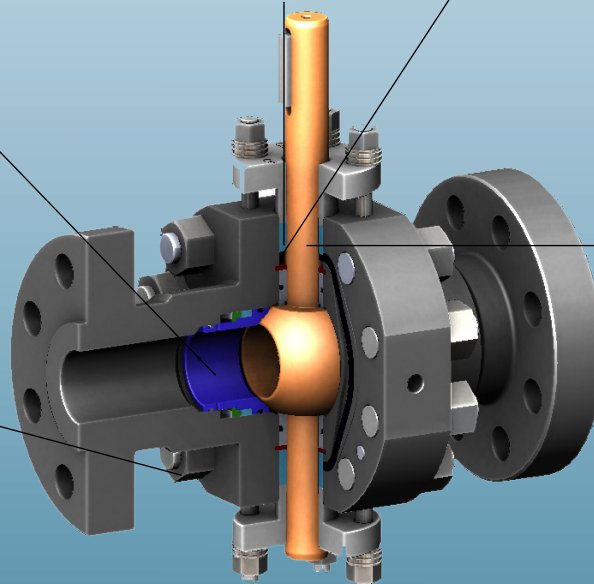
1. Pre-loaded, pressure assisted seating, bi-directional seating: no lateral ball movement; along flow bore. Pre-loading provides uniform torque. Pressure assistance assures tighter seal.

2. Engineered stem and fugitive emission seals per customer specification.

4. Trunnion bearing supports: assures alignment and reduces ball/seat torque.

3. Rigid bolted body: optimal strength and versatility.

5. Solid One Piece Ball & Stem: Solid, responsive & reliable. Prevents hysteresis.

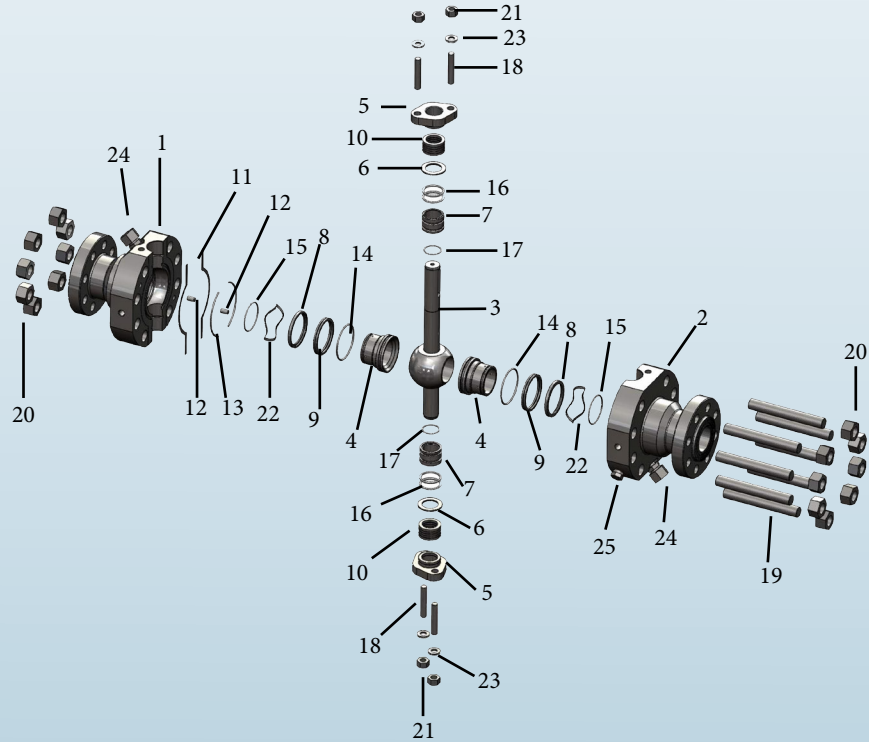


# Model: SB2

## PARTS LIST

A/R = AS REQUIRED

ITEM	QTY	DESCRIPTION
1	1	Body, Left Side
2	1	Body, Right Side
3	1	Ball/Stem
4	2	Metal Seat
5	2	Packing Gland
6	2	Stem Spacer
7	2	Metal Bearing
8	2	Pusher Ring
9	4	Seat Seal
10	10	Stem Seal
11	1	Body Seal
12	2	Dowel Pin
13	1	Body O-Ring Seal
14	2	Seat O-Ring Seal
15	2	Grease O-Ring Seal
16	4	Bearing O-Ring Seal
17	2	Stem O-Ring Seal
18	A/R	Threaded Stud
19	A/R	Threaded Stud
20	A/R	Body Heavy Hex Nut
21	A/R	Packing Heavy Hex Nut
22	2	Wavespring
23	8	Belleville-Washer
24	2	Grease Fitting
25	1	Drain Pipe Plug



### Available Options

- Double Block & Bleed
- Steam Purge Ports
- Secondary & Tertiary Stem Seals
- Soft Seated or Metal Seated
- Various Ball Coatings
- CRA Overlays
- Firesafe
- Materials to Nace Standards
- More available upon request

### Materials

Carbon Steel, Stainless Steel, Duplex, Stainless, Chrome Molybdenum, Nickel & Titanium based alloys and other exotic alloy available upon request.



36" Ansi 150 SB-2 for Power Generation Refrigerant Service

