

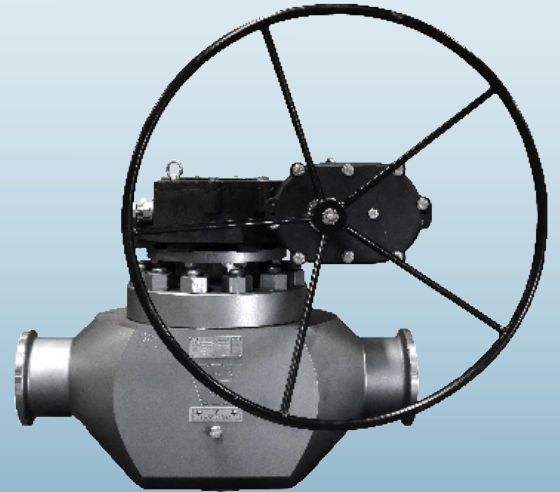
Top Entry Ball Valves

Model: TE-1



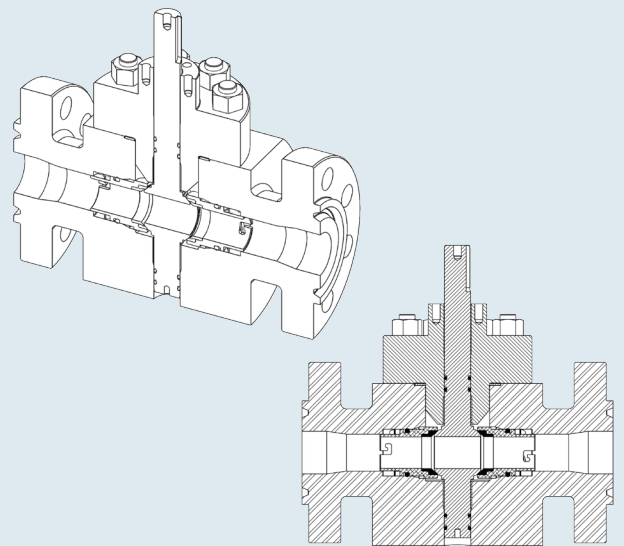
TRUNNION MOUNTED,
BI-DIRECTIONAL SHUT-OFF

Sizes:	ANSI 1" - 36" API 1 ³ / ₁₆ " - 11"
Ratings:	ANSI 150 - 4500 API 2000 - 20000
Design Standards:	B16.34, API 6A, API 6D, BPVC
Temperature:	From 320° F (CRYOGENIC) To 1500° F (HIGH TEMPERATURE)
End Connections:	SW, BW, RF, RTJ, HUB END ANSI B16.5 / API 6A / ANSI B16.25
Leakage Class:	- API 6D & API 6A - PSL1 Thru 3G - API 598 - Bubble Tight (Soft Seated) - ANSI / FCI 70.2 Class V & VI (Metal Seated)
Actuation:	Manual, Pneumatic, Hydraulic, Electric...



Standard Features

1. Metal-to-metal body/bonnet seal: reliable and fire safe
2. Solid one-piece ball, stem trunnion designs: Stronger, simpler, and more accurate
3. Pre-loaded, pressure assisted seating, bi-directional seating: no lateral ball movement along flow bore. Pre-loading provides uniform torque. Pressure assistance assures tighter seal.
4. Engineered stem and seat seals per customer specification
5. Trunnion bearing supports: assures alignment and reduce ball/seat torque



13124 Trinity Drive, Stafford, TX. 77477
www.cornerstonevalve.com
(281) 880-8188

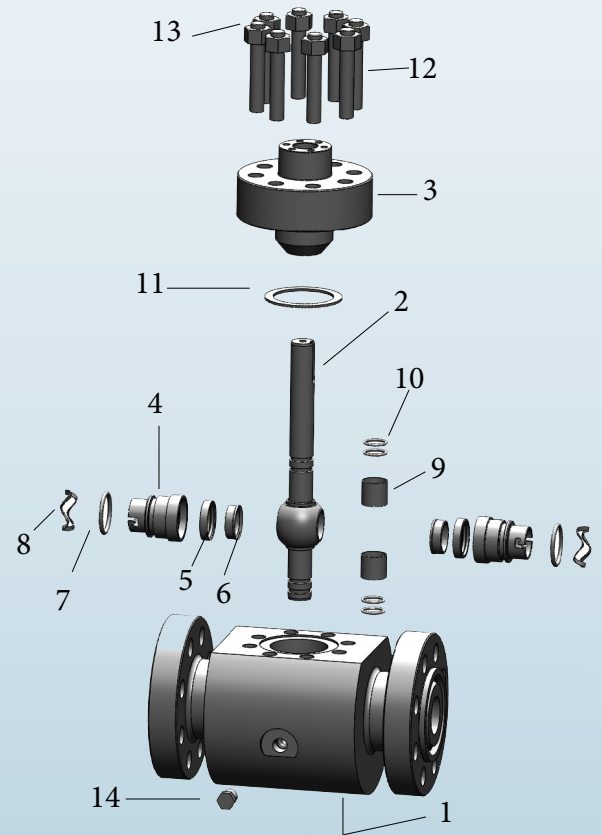


Model: TE-1

PARTS LIST

A/R = AS REQUIRED

ITEM	QTY	DESCRIPTION
1	1	Body
2	1	Ball
3	1	Bonnet
4	2	Seat pool (soft or metal)
5	2	Seat insert (soft seat only)
6	2	Seat lock ring (soft seat only)
7	2	Piston Seal (seat)
8	2	Wave spring
9	4	Bearing (stem)
10	4	Stem Seal
11	1	Bonnet Seal
12	A/R	Stud
13	A/R	Nut
14	2	Test Plug



Applications

- Oil & gas production natural gas to 15,000 psig
- Crude oil
- Ore slurries
- Steam & condensate
- Cryogenic liquid/gas
- Subsea

Materials

Carbon Steel, Stainless Steel, Duplex, Chrome, Molybdenum, Nickel & Titanium based alloys and other exotic allow available upon request.

Available Options

- Solids proof design
- In-line reparability
- Double block & bleed
- Steam purge ports
- Secondary & Tertiary stem seals
- Soft seated or metal seated
- Various ball coatings
- CRA Overlays
- Firesafe
- Subsea
- Materials to nace standards
- More available, upon request